

Features

- Adjustable tempered-glass shelves provide additional bathroom storage.
- Front mirror, inside door mirror, and back panel mirror provide superior visibility.
- 110° door swing with slow-close hinges.

Material

- Anodized aluminum construction with a durable rust-proof and chip-resistant finish.

Installation

- Can be installed with left- or right-hand swing.
- Includes mounting hardware for surface or recessed installation.
- Mirrored side kits for surface mount installation sold separately.

Required Products/Accessories

K-99012 mirrored side kit for medicine cabinet

or

K-99675 Medicine Cabinet Wood Side Kit

Optional Products/Accessories

K-5448 Bathroom Vanity Top - Back splash

Included Components

Additional Components:

Mounting hardware

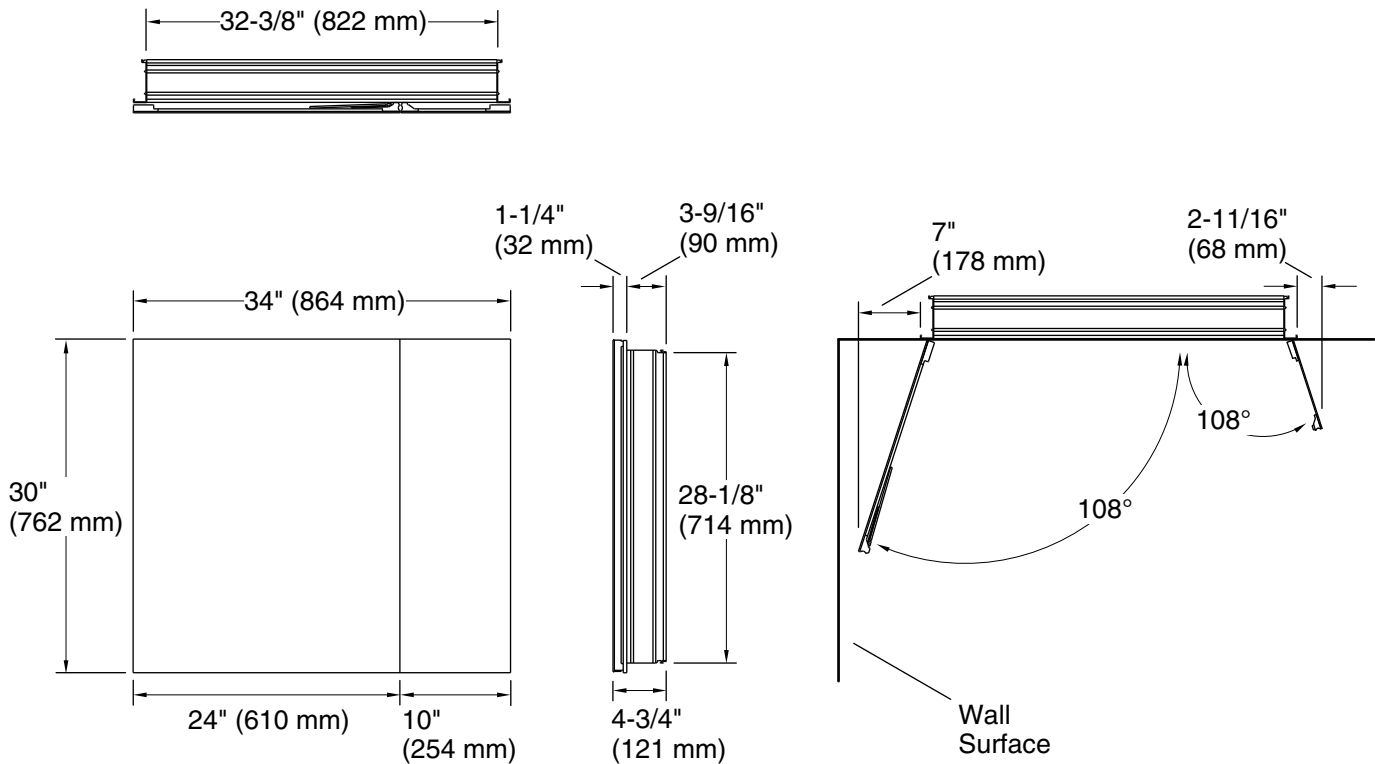


Codes/Standards

None Applicable

KOHLER® One-Year Limited Warranty

See website for detailed warranty information.



Technical Information

All product dimensions are nominal.

Notes

Install this product according to the installation guide.

To recess mount, the wall cavity must be framed and the cabinet secured to framing studs. Reroute electrical or water supply lines from the cavity. Consult a professional if drain or vent piping is encountered, or if the wall is load-bearing.

To determine the height of the cabinet, ensure the door will clear all obstacles (such as a faucet). A minimum 3" (76 mm) distance is required.

Cutout for recess-mount installation:

32-1/2" (826 mm) wide x 28-1/4" (718 mm) high x 3-11/16" (94 mm) deep.